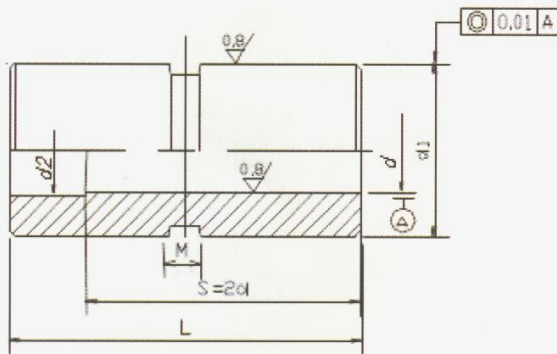


**НАПРАВЛЯЮЩИЕ ВТУЛКИ (ИСПОЛНЕНИЕ 1)**

Standard: SLB-ZB

Through hardend guide bush

Material	Hardness
40Cr	HRC50-55
GCr15	HRC60±2



代码 code	d		d <sub>1</sub>		M	L							
					L > 20	15	20	25	30	35	40	50	60
TAMC (TAZC)	12	+0.017 +0.006	18	+0.021 +0.008	4	*	*	*	*	*	*	*	*
	16		25			*	*	*	*	*	*	*	*
	20		30			*	*	*	*	*	*	*	*
	25	+0.020 +0.007	35	+0.025 +0.009		*	*	*	*	*	*	*	*
	30		42			*	*	*	*	*	*	*	*

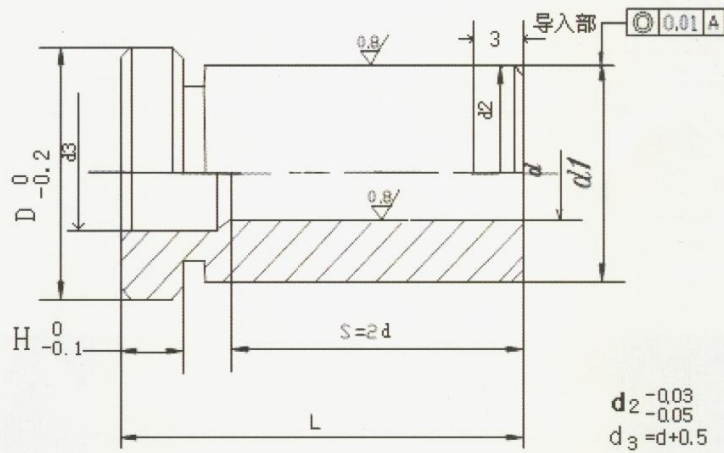
Example: Order Catalog No d × L — Q` ty(pcs)  
40Cr: TAMC 12 × 30 — 10(pcs)  
GCr15: TAZC 12 × 30 — 10(pcs)

## НАПРАВЛЯЮЩИЕ ВТУЛКИ (ИСПОЛНЕНИЕ 2)

Standard: SLB-TA

Material	Hardness
40Cr	HRC50-55
GCr15	HRC60±2

Through hardened guide bush



代码 Code	d		d <sub>1</sub>		D	H	L							
							15	20	25	30	35	40	50	60
TBMC (TBZC)	12	+0.017	18	+0.021	22	5	*	*	*	*	*	*	*	*
	16	+0.006	25	+0.008	30	6	*	*	*	*	*	*	*	*
	20	+0.020	30	+0.025	35	8	*	*	*	*	*	*	*	*
	25	+0.007	35	+0.009	40		*	*	*	*	*	*	*	*
	30		42		47	10	*	*	*	*	*	*	*	*

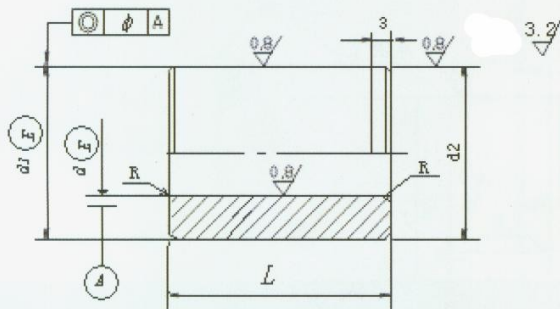
Example: Order Catalog No d × L — Q` ty(pcs)  
40Cr: TBMC 12×30—10(pcs)  
GCr15: TBZC 12×30—10(pcs)

**НАПРАВЛЯЮЩИЕ ВТУЛКИ (ИСПОЛНЕНИЕ 3)**

Standard: GB4169.2-84

**Through hardened guide bush**

Material	Hardness
T8	HRC50-55



代码 Code	d(H7)		d <sub>1</sub> (n6)		d <sub>2</sub> (e7)		R	L									
								16	20	25	32	40	50	63	80	100	
TAMG	12	+0.018	18	+0.023	18	-0.032	1			*	*						
	16	0	24	+0.028	24	-0.040				*	*	*					
	20	+0.021	28	+0.015	28	-0.061				*	*	*					
	25	0	35		35					*	*	*	*				
	32	+0.025	42	+0.033	42	-0.050	1.5				*	*	*	*			
	40		0	50	+0.017	50		-0.075					*	*	*		
	50		63	+0.039	63	-0.060							*	*	*	*	*
	63	+0.030	80	+0.020	80	-0.090								*	*	*	*
	0													*	*	*	

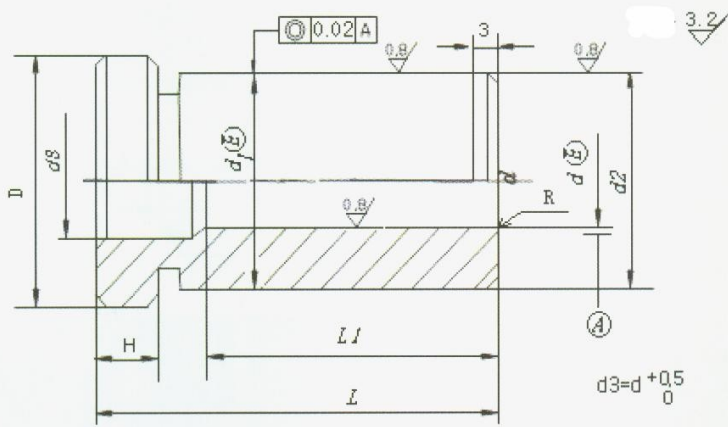
Example: Order Catalog No d × L — Q ' ty (pcs)  
T8: TAMG 12 × 30 — 10 (pcs)

**НАПРАВЛЯЮЩИЕ ВТУЛКИ (ИСПОЛНЕНИЕ 4)**

Standard: GB4169.3-84

Material	Hardness
T8	HRC50-55

**Through hardened guide bush**



代码 Code	d(H7)	d <sub>1</sub> (h6)	d <sub>2</sub> (e7)	D <sup>0</sup> <sub>-0.2</sub>	H <sup>0</sup> <sub>-0.1</sub>	R	L												
							16	20	25	32	40	50	63	80	100				
TBMG	12	+0.018 0	18	+0.023 +0.012	18	-0.032 -0.050	22	6	1	*	*	*	*						
	16		24	+0.028 +0.015	24	-0.040 -0.061	28	6	1	*	*	*	*	*					
	20	+0.021 0	28		28		32	6	1.5		*	*	*	*	*				
	25		35	+0.033 +0.017	35	-0.050 -0.075	40	6	1.5		*	*	*	*	*				
	32	+0.025 0	42		42		48	8	1.5			*	*	*	*	*			
	40		50	+0.039 +0.020	50	-0.060 -0.090	56	8	1.5				*	*	*	*	*		
	50	+0.030 0	63		63		71	10	1.5					*	*	*	*	*	
	63		80		80		90	10	1.5						*	*	*	*	*

Example: Order Catalog No d × L — Q ' ty(pcs)  
T8: TBMG 12 × 50 — 10(pcs)